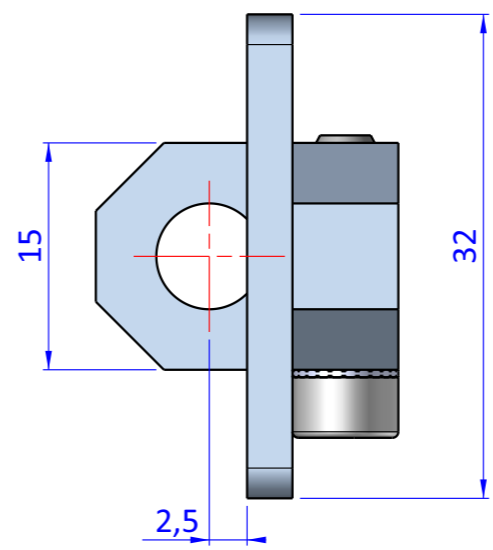
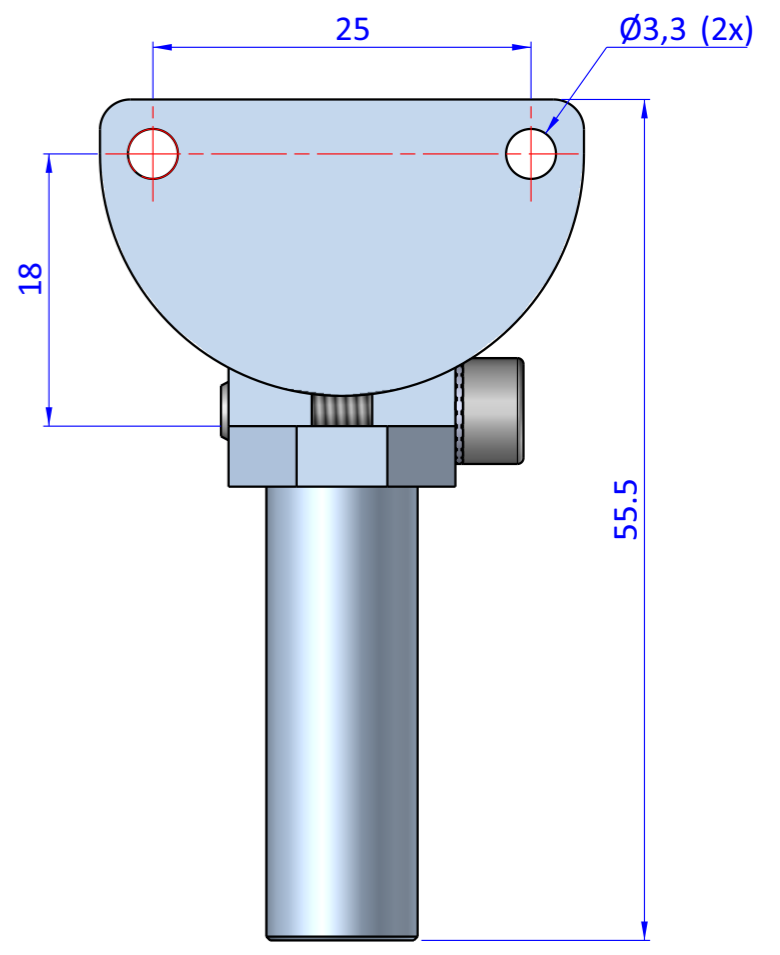
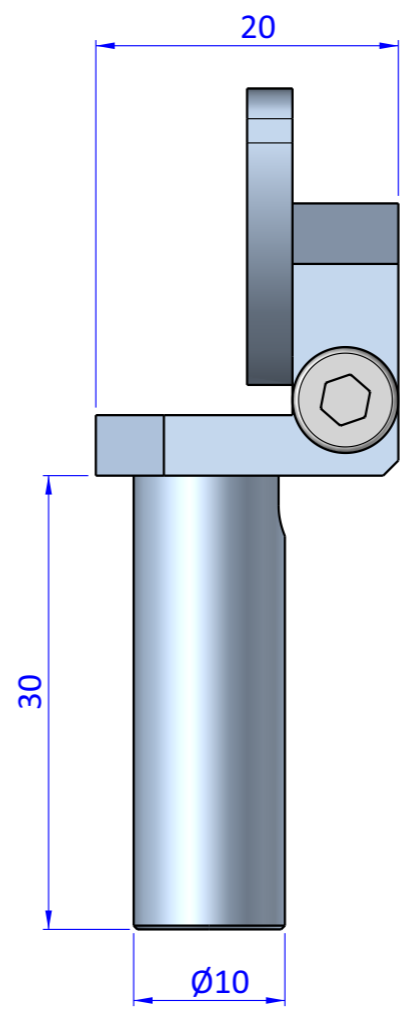
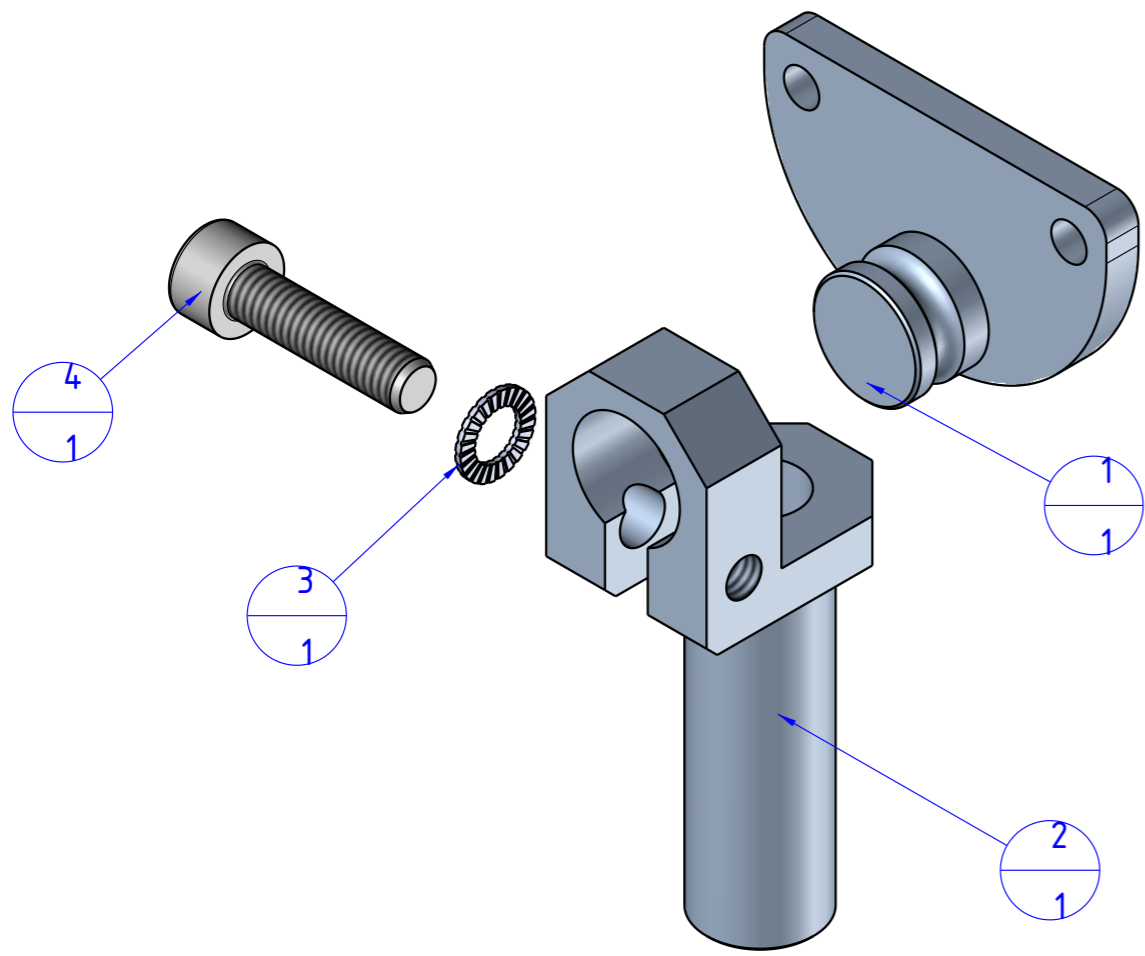



THE PROPERTY OF THE DRAWING IS ESTABLISHED BY LAW. IT IS FORBIDDEN TO PRODUCE OR SHOW IT TO THIRD PART. WITHOUT A WRITTEN AGREEMENT.

Item	Name	Q.ty
1	ATK.10.10.3	1
2	GGB.10.30	1
3	R.4.SCH	1
4	V.TCE4x16	1



Format A3
UNI 936-76

 FPS FPSERVICES AUTOMATION		DESIGNED FROM		REVIEW
		FPS Automation		A
GENERAL TOLERANCE		DATE	WEIGHT	
UNI - ISO 2768		06/08/2020	0,015kg	
CLASSE f		DESCRIPTION	CODE	
		CA.ATK.10.10.30	CA.ATK.10.10.30	